

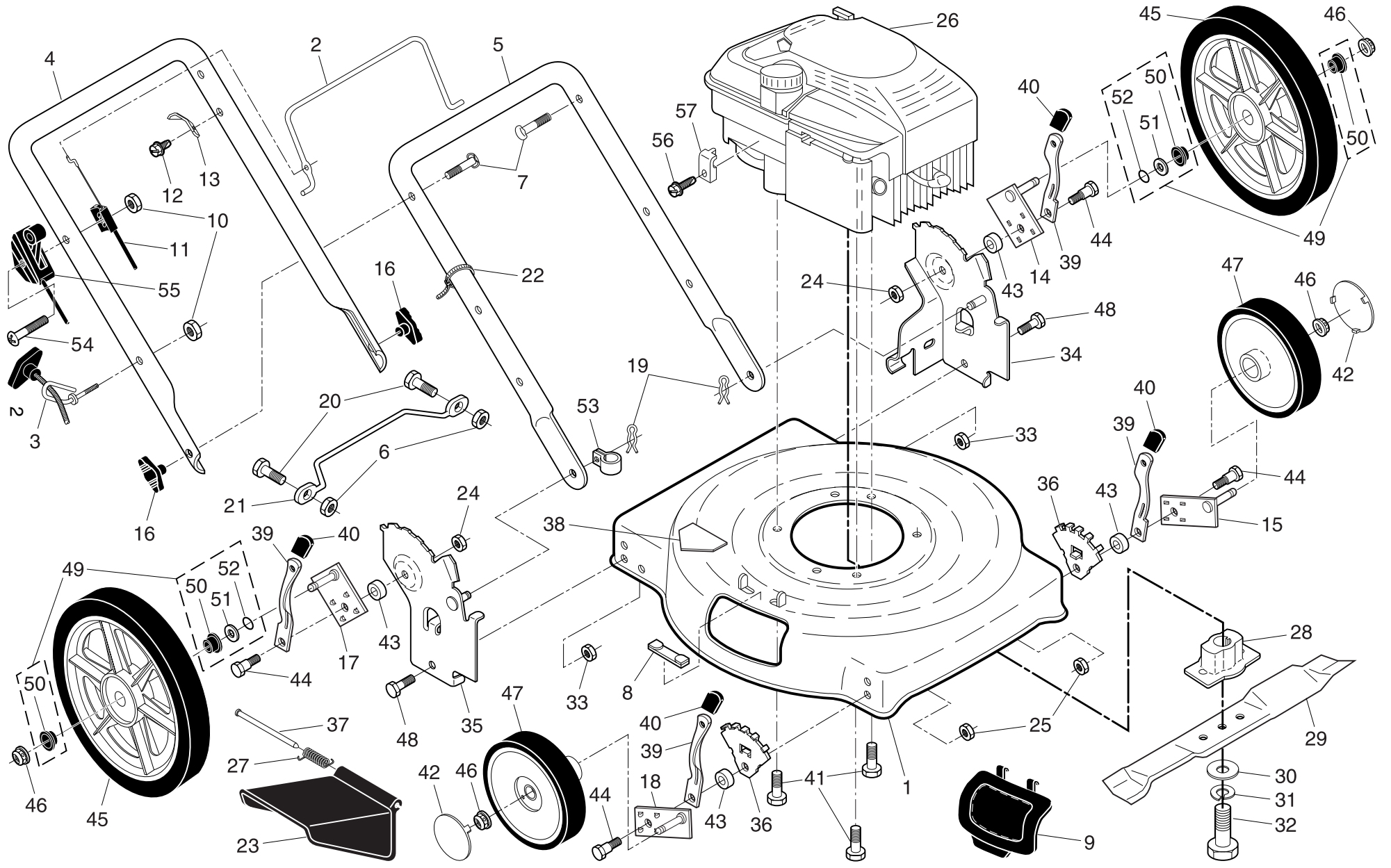
ILLUSTRATED PARTS LIST

CUSTOMER MODEL NUMBER 655HW

PRODUCT NUMBER 961 11 00-12

MFG. ID. NUMBER 96111001200

ROTARY LAWN MOWER - - CUSTOMER MODEL NO. 655HW (96111001200) PRODUCT NO. 961 11 00-12



ROTARY LAWN MOWER - - CUSTOMER MODEL NO. **655HW** (96111001200) PRODUCT NO. 961 11 00-12

KEY NO.	PART NO.	DESCRIPTION	KEY NO.	PART NO.	DESCRIPTION
1	532 18 52-63	Lawn Mower Housing (Includes Key Number 38)	30	532 85 10-74	Hardened Washer
2	532 19 55-74	Control Bar	31	532 85 02-63	Helical Lockwasher 3/8
3	532 17 95-85	Rope Guide	32	532 85 10-84	Hex Head Screw 3/8-24 x 1/4 Grade 8
4	532 19 55-47	Upper Handle	33	873 80 05-00	Locknut 5/16-18
5	532 17 42-91	Lower Handle	34	532 17 44-13	Wheel Bracket, Support, LH
6	532 06 91-80	Locknut, Hex 1/4-20	35	532 17 44-14	Wheel Bracket, Support, RH
7	532 19 15-74	Handle Bolt 5/16-18	36	532 16 57-04	Wheel Bracket, Adjuster
8	532 16 16-22	Clip, Closeout	37	532 16 08-33	Hinge Rod
9	532 16 08-30	Plate, Mulcher	38	532 18 21-66	Danger Decal
10	532 13 20-04	Nut, Hex	39	532 16 85-99	Selector Spring
11	532 13 31-07	Engine Zone Control Cable	40	532 17 01-43	Selector Knob
12	532 75 06-34	Hex Thread Rolling Screw #10-24 x1/2	41	532 15 04-06	Hex Head Thread Rolling Screw 3/8-16 x 1
13	532 12 51-62	Up-Stop Bracket	42	532 18 06-60	Hubcap, Front Wheel
14	532 18 36-61	Axle Arm Assembly, Rear, LH	43	532 18 39-01	Washer
15	532 18 92-77	Axle Arm Assembly, Front, LH	44	532 16 08-28	Shoulder Bolt
16	532 19 19-38	Handle Knob	45	532 18 13-83	Wheel & Tire Assembly, Rear
17	532 18 36-62	Axle Arm Assembly, Rear, RH	46	532 08 39-23	Locknut, Hex 5/16-18
18	532 18 92-78	Axle Arm Assembly, Front, RH	47	532 15 71-78	Wheel & Tire Assembly, Front
19	532 05 17-93	Hairpin Cotter	48	874 76 05-14	Hex Head Bolt 5/16-18 x 3/4
20	532 08 58-25	Hex Head Screw 1/4	49	532 19 34-98	Kit, Bushing, High Wheel
21	532 15 41-47	Footguard	50	532 19 36-96	Bushing, Nylon, Black
22	532 06 64-26	Wire Tie	51	532 08 83-48	Washer, Flat
23	532 16 08-31	Discharge Guard	52	532 18 81-52	O-Ring
24	532 75 11-53	Nut, Hex	53	532 19 27-70	Clip, Cable
25	532 16 67-85	Nut, Hex	54	532 18 33-65	Screw
26	---	Engine, Briggs & Stratton, Model Number 10K902 (Order parts from engine manufacturer)	55	532 17 02-94	Throttle Control
27	532 19 34-36	Torsion Spring	56	532 08 38-16	Screw
28	532 18 45-90	Blade Adapter	57	532 11 11-90	Clamp
29	532 14 11-14	22" Blade	--	532 18 21-91	Warning Decal (not shown)
			--	532 19 67-91	Operator's Manual, European
			--	532 19 67-92	Operator's Manual, Scandinavian

NOTE: All component dimensions given in U.S. inches. 1 inch = 25.4 mm. **IMPORTANT:** Use only Original Equipment Manufacturer (O.E.M.) replacement parts. Failure to do so could be hazardous, damage your lawn mower and void your warranty.